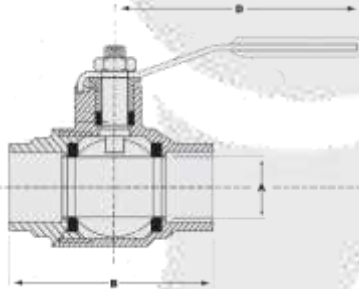




## Brass Full Port Ball Valve IPS 600 WOG • 150 SWP

### Material of Valve Parts

Body.....Cast Brass  
Ball...Chrome Plated Brass  
Stem Packing.....Teflon  
Stem.....Brass  
Stem Gland Screw....Brass  
Handle....Zinc Plated Steel



IPS BALL VALVE				
SIZE	A	B	C	D
1/4"	3/8"	1-3/4"	1-1/4"	3-1/2"
3/8"	3/8"	1-3/4"	1-3/4"	3-1/2"
1/2"	1/2"	2"	2"	3-1/2"
3/4"	3/4"	2-1/4"	2-1/4"	3-3/4"
1"	1"	2-3/4"	2-1/2"	4-1/2"
1 1/4"	1-1/4"	3-1/4"	3"	4-1/2"
1 1/2"	1-1/2"	3-3/4"	3-1/2"	5-1/2"
2"	2"	4-1/4"	4"	5-1/2"
2 1/2"	2-1/2"	5-1/4"	5"	9"
3"	3"	6-1/4"	5-1/4"	9"
4"	4"	7-1/4"	6"	9-1/2"



PART #BVsizeI

### SPECIFICATIONS: Working Pressure Non-Shock (PSI)

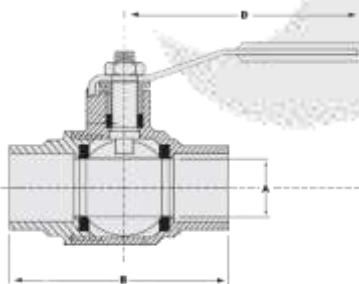
WSP.....150  
Cold Water, Oil, Gas...600

\*Measurements are approximate, please call us if you need exact specifications\*

## Brass Full Port Ball Valve CxC 600 WOG • 150 SWP

### Material of Valve Parts

Body.....Cast Brass  
Ball...Chrome Plated Brass  
Stem Packing.....Teflon  
Stem.....Brass  
Stem Gland Screw....Brass  
Handle....Zinc Plated Steel



CxC BALL VALVE				
SIZE	A	B	C	D
1/2"	1/2"	2-1/4"	1-3/4"	3-1/2"
3/4"	3/4"	2-3/4"	2-1/4"	3-3/4"
1"	1"	3-1/2"	2-1/2"	4-1/2"
1 1/4"	1-1/4"	4-1/4"	3"	4-1/2"
1 1/2"	1-1/2"	4-1/2"	3-1/2"	5-1/2"
2"	2"	5-1/2"	4"	5-1/2"
2 1/2"	2-1/2"	6-1/4"	4-3/4"	8-3/4"
3"	3"	7-1/4"	5"	9"
4"	4"	9-1/4"	6"	9-1/2"



PART #BVsizeS

### SPECIFICATIONS: Working Pressure Non-Shock (PSI)

WSP.....150  
Cold Water, Oil, Gas...600

\*Measurements are approximate, please call us if you need exact specifications\*

## LEO INTERNATIONAL, INC.

471 Sutter Avenue, Brooklyn, New York 11207 • Tel:718-290-8005 • Fax:718-290-8046

[www.leointernational.com](http://www.leointernational.com)



Long Stem Ball Valve Full Port

**CXC**



Part #BVLSizeC  
Sizes: 1/2" - 3/4"

**IPS**



Part #BVLSizeI  
Sizes: 1/2" - 3/4"

T-Valve Boiler Drain



Part #TVBD34  
#TVBD1  
Sizes: 3/4" - 1"

3/4" Circulator Valve w/ Drain



Part #BVCIR34IWD12

3/4" Circulator Valve



Part #BVCIRsize  
Sizes: 3/4" - 1 1/4"

3/4" Ball Valve with Drain



**CXC**

Part #: BV34SWD12



**IPS**

Part #: BV34IWD12

**LEO INTERNATIONAL, INC.**

471 Sutter Avenue, Brooklyn, New York 11207 • Tel:718-290-8005 • Fax:718-290-8046

[www.leointernational.com](http://www.leointernational.com)

# PRIME-FLOW™

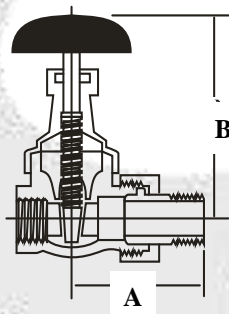


## HEAVY PATTERN

### BRASS RADIATOR STEAM ANGLE VALVE #700

DIMENSIONS

SIZE	A	B- OPEN
3/4"	2.65	3.15
1"	2.95	3.40
1 1/4"	3.30	3.90
1 1/2"	6.55	8.50



PART # BRSAsize

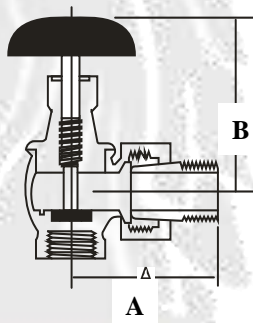
\* Working Pressure (PSI) non-shock – WSP 15

## HEAVY PATTERN

### BRASS RADIATOR STEAM GATE VALVE #800

DIMENSIONS

SIZE	A	B- OPEN
1"	2.90	4.10
1 1/4"	3.25	4.65



PART # BRSGsize

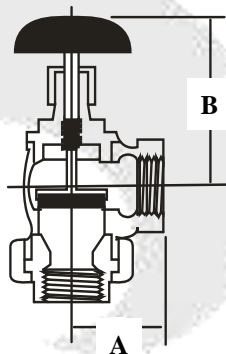
\* Working Pressure (PSI) non-shock – WSP 15

## HEAVY PATTERN

### BRASS CONVECTOR STEAM ANGLE VALVE #400

DIMENSIONS

SIZE	A	B- OPEN
1"	2.90	4.10
1 1/4"	3.25	4.65



PART # BCSAsize

\* Working Pressure (PSI) non-shock – WSP 15

**LEO INTERNATIONAL, INC.**

471 Sutter Avenue, Brooklyn, New York 11207 • Tel:718-290-8005 • Fax:718-290-8046

[www.leointernational.com](http://www.leointernational.com)

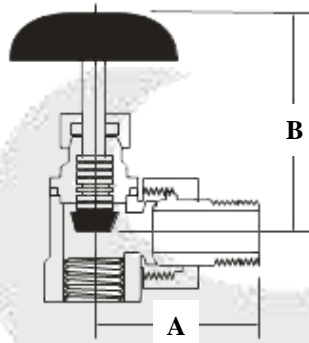




## HEAVY PATTERN BRASS HOT WATER ANGLE VALVE #500



Part #BRWAsizeI (IPS)  
BRWAsizeC (CxC)



### DIMENSIONS

#500- C...CxC Connection

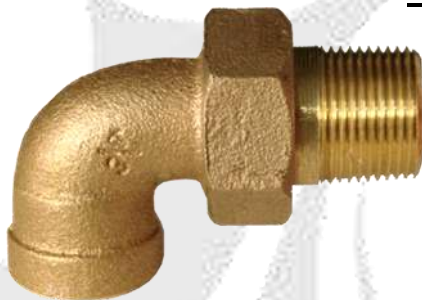
SIZE	A	B- OPEN
1/2"	2.20	2.75
3/4"	2.55	2.90

#500- I...IPS Connection

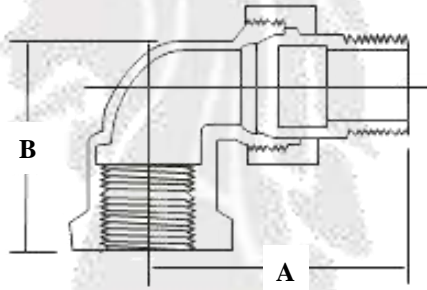
SIZE	A	B- OPEN
1/2"	2.20	2.75
3/4"	2.55	2.90

\* Working Pressure (PSI) non shock – Hot Water – 60 PSI

## HEAVY PATTERN BRASS UNION ELBOW #300



Part #BRUEsizeI (IPS)  
BRUEsizeC (CxC)



### DIMENSIONS

#300- C...CxC Connection

SIZE	A	B- OPEN
1/2"	2.20	1.25
3/4"	2.45	1.50

#300- I...IPS Connection

SIZE	A	B- OPEN
1/2"	2.40	1.05
3/4"	2.70	1.20

\* Working Pressure (PSI) non shock – Hot Water – 60 PSI – W.S.P. 15 PSI

## BRASS BALL VALVE W/STOP

IPS OR C X C



Part #BVWS34S  
#BVWS34I  
Size: 3/4" & 1"

## GAS BALL VALVE



Part #GBVsize  
Sizes: 1/2", 3/4", 1"

175 WOG NON SHOCK

# LEO INTERNATIONAL, INC.

471 Sutter Avenue, Brooklyn, New York 11207 • Tel: 718-290-8005 • Fax: 718-290-8046

[www.leointernational.com](http://www.leointernational.com)



**1/4" T-Handle Ball Valve**



Part# BV14T

**T-Handle Balancing Ball Valve**



Part #: BBVsizeST Sizes: 1/2" & 3/4"

**3/4" Balancing Valve w/Screw Driver Top**



Part #BBV34SS

**3/4" Balancing Valve w/Union End**



\* Also available with T-Handle

Part #BBV34UT

**1/4" Pet Cock Valve**



Part #BVPC14

**Frost Free Sill Cock**



Part #FFSCsize Sizes: 8" - 12"

**Swing Check Valve**



CXC



IPS

Part #CVsize S (CxC) Sizes: 1/2" - 4"  
#Csize I (IPS)

**LEO INTERNATIONAL, INC.**

471 Sutter Avenue, Brooklyn, New York 11207 • Tel:718-290-8005 • Fax:718-290-8046

[www.leointernational.com](http://www.leointernational.com)



# Y - STRAINERS

## Bronze Y Strainer



Part #  
#BYSIsize... IPS (Threaded)  
#BYSCsize... CxC (Sweat)

Sizes:  $\frac{1}{2}$ " - 2"

## Cast Iron Threaded IPS Y Strainer



Part #:  
CYSTsize... IPS  
Sizes:  $\frac{1}{2}$ " - 3"

## Cast Iron Flanged Y Strainer



Part #:  
CYSFsize.....  
Sizes: 2  $\frac{1}{2}$ " - 8"

## Gas Test Assembly 5# PSI Low Pressure



Part # GTK

**LEO INTERNATIONAL, INC.**

471 Sutter Avenue, Brooklyn, New York 11207 • Tel:718-290-8005 • Fax:718-290-8046

[www.leointernational.com](http://www.leointernational.com)





**Air Purger**



Part #APsize Sizes: 1", 1 1/4"

**1/8" Automatic Hot Water Air Vent**



Part #AAV18

**1/8" Air Valve**



Part #AV18A (Angle)  
AV18S (Straight)

**1/8" Winner Air Valve**



Part #H4018A

**Oil Fill Box w/ Brass Plug**



Part #: OFBsize  
Sizes: 2" & 3"

**Pig Tail**



Part #	Description
PT	Black Straight Pig Tail
PTA	Black Angle Pig Tail
PTB	Brass Straight Pig Tail
PTBA	Brass Angle Pig Tail

**1-1/4" Vent Cap w/ 1/8" Tap**



Part #M014BVCA114

**Di-Electric Union**



Male

Female

Part #DEUMsize (Male)  
DEUFsize (Female)  
Sizes: 1/2" & 3/4"

**LEO INTERNATIONAL, INC.**

471 Sutter Avenue, Brooklyn, New York 11207 • Tel:718-290-8005 • Fax:718-290-8046

[www.leointernational.com](http://www.leointernational.com)



**Angle Globe Valve**



Part #SVA<sub>sizeS</sub> (CxC)  
SVA<sub>sizeI</sub> (IPS)  
Size: 1/2" & 3/4"

**Globe Valve**



Part #SVS<sub>sizeS</sub> (CxC)  
SVS<sub>sizeI</sub> (IPS)  
Size: 1/2" & 3/4"

**Long Stem Angle  
Globe Valve**



Part #SVALS<sub>sizeS</sub> (CxC)  
SVALS<sub>sizeI</sub> (IPS)  
Size: 1/2" & 3/4"

**Long Stem  
Globe Valve**



Part #GLS<sub>sizeS</sub> (CxC)  
GLS<sub>sizeI</sub> (IPS)  
Size: 1/2" & 3/4"

**Ball Style Boiler Drain**



Part #BBDM<sub>size</sub>  
Sizes: 1/2", 3/4"

**Male Boiler Drain  
w/ Stuffing Box**



Part #BDM<sub>size</sub>  
Size: 1/2" & 3/4"

**Brass Long Stem Gate Valve**



Part  
1/2" CxC #GVLS12S  
3/4" CxC #GVLS34S

Part  
1/2" IPS #GVLS12I  
3/4" IPS #GVLS34I

CxC

IPS

**Brass Gate Valve**



Part  
#GV<sub>sizeI</sub> (IPS)  
#GV<sub>sizeS</sub> (CxC)  
Sizes: 1/2" - 4"

CxC

IPS

**LEO INTERNATIONAL, INC.**

471 Sutter Avenue, Brooklyn, New York 11207 • Tel: 718-290-8005 • Fax: 718-290-8046

[www.leointernational.com](http://www.leointernational.com)





### ROADWAY BOXES SCREW TYPE



Part #039RWB



Cover

#### SQUARE OPERATING NUT



Part #039SN

### CAST IRON CHECK VALVE



Part #CICVsize  
Sizes: 3", 4" & 6"

### DUCTILE IRON GATE VALVE MECHANICAL JOINT



Part #DIGMsize  
Sizes: 3", 4" & 6"

### 175# OSY VALVE



#### FIRE PROTECTION VALVE

Part #CIOSY175size  
Sizes: 2-1/2", 3", 4" & 6"

## LEO INTERNATIONAL, INC.

471 Sutter Avenue, Brooklyn, New York 11207 • Tel:718-290-8005 • Fax:718-290-8046

[www.leointernational.com](http://www.leointernational.com)

# CAST IRON OSY#125 FLANGED GATE VALVES



Outside screw and yoke  
Flanged end

Part #C IOSYsize

Sizes: 2" - 12"

This series of bolted bonnet gate valves are outside screw and yoke type with Flanged ends. Two body-trim combinations: All-iron or iron body with bronze mountings (IBBM), the latter recommended for general use on steam, water, air, oil, and gas lines.

**Body and bonnet** Close-grained cast iron or a corrosion-resistant 3% nickel iron alloy. Bolted bonnets. Flanged ends make valves easy to install or remove in general use or corrosive service. Two supporting webs between pipe flanges and body flange help strengthen valve against pipe line strain.

**Stem** Outside screw and yoke design places stem outside bonnet away from corrosive fluids. Acme standard threads with long engagement in yoke bushing.  
For all-iron valves Steel. Chemically treated with phosphate to inhibit rust.

For IBBM valves Manganese bronze in 2"- 12" sizes. "Stemalloy" in larger sizes. Resistant to wear, corrosion, embrittlement.

**Discs** Solid wedge design will not distort with temperature variations.

For all-iron valves Iron, solid wedge.

For IBBM valves Solid bronze in 2" and 2 1/2" size. Iron with bronze faces in 3" and larger sizes.

**Seats** Seat rings heavily constructed and rectangular in section, renewable if needed. Seat face inner rings seat against solid walls of body recess.

For iron valves Screw in, iron seat rings.

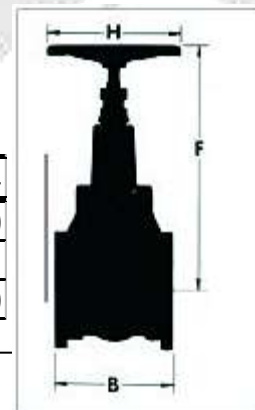
For IBBM valves Screw in bronze seat rings.

**Repacking** Swing gland bolts and shelves facilitate repacking. Large stuffing boxes; repackable under pressure when wide open.

Dimensions in inches Weights in pounds

Size	2	2 1/2	3	4	5	6	8	10	12	14	16	18	20	24
B	7	7 1/2	8	9	10	10 1/2	11 1/2	13	14	15	16	17	18	20
F	15 1/8	16 9/16	18 15/16	23 3/4	27 15/16	32 1/2	40 1/8	49 3/8	57 3/4					
H	8	8	8	10	12	12	14	16	18	20	24	26	28	30

\*Measurements are approximate, please call us if you need exact specifications\*



**LEO INTERNATIONAL, INC.**

471 Sutter Avenue, Brooklyn, New York 11207 • Tel:718-290-8005 • Fax:718-290-8046

[www.leointernational.com](http://www.leointernational.com)



## Cast Iron Groove Check Valve



Part #GCVsize  
Sizes: 2" - 6"

## Bronze OSY IPS Gate Valve



Part #BOSYsize  
Sizes: 1" - 2"

## BRONZE FEDERAL LONG & STANDARD STEM GATE VALVES 200 WOG



### IPS

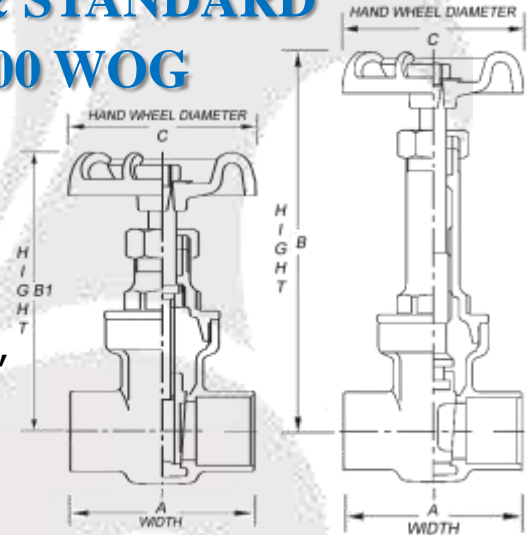
Part GVFSsizeL  
Sizes: 1/2" - 3"



### IPS

Part GVFSsizeC  
Sizes: 1/2" - 3"

Our Federal long & standard stem gate valves feature bronze construction, with a cast iron wheel, and teflon packing.



SIZE	1/2"	3/4"	1"	1-1/4"	1-1/2"	2"	2-1/2"	3"
WIDTH (A) IPS	2"	2"	2-1/4"	2-3/4"	2-3/4"	3"	4"	4-1/2"
WIDTH (A) CxC	2"	2-1/4"	2-3/4"	3-1/4"	3-1/2"	4"	4-3/4"	5-1/4"
HEIGHT (B1)*	3"	3-2/4"	4-1/4"	3/4"	5-2/4"	6-3/4"	7-3/4"	9"
HEIGHT (B)**	5"	5-3/4"	7-1/4"	8/4"	9-1/2"	11-1/2"	13-3/4"	15"
WHEEL (C)	2-1/4"	2-1/4"	3"	3"	3-1/4"	4-1/4"	4-1/2"	5-1/4"

\* STANDARD STEM \*\* LONG STEM

\*Measurements are approximate, please call us if you need exact specifications\*

## LEO INTERNATIONAL, INC.

471 Sutter Avenue, Brooklyn, New York 11207 • Tel: 718-290-8005 • Fax: 718-290-8046

[www.leointernational.com](http://www.leointernational.com)



# GROOVED BUTTERFLY VALVES

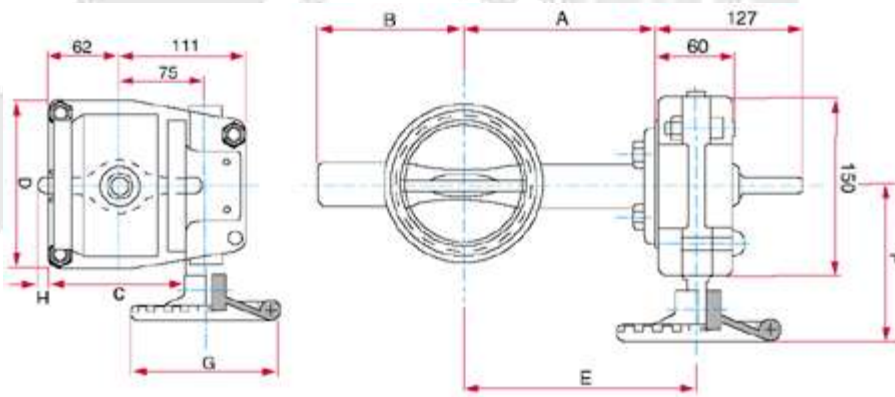


## SPECIFICATIONS

Working Pressure : 175 PSI (12.5 Bars)  
 Max. Test Pressure : 350 PSI (25.0 Bars)  
 Max. Working Temp : 250 F (120 C)

Double Tamper Switch For Indoor Use Only.

MATERIAL OF PRIMARY COMPONENTS	
PART	MATERIAL
BODY	ASTM A-536 NYLON-11 COATED
DISC	ASTM A-536 EPDM ENCAPSULATED
UPPER & LOWER STEMS	AISI 420-SS
WORM GEAR SHAFT	AISI 410-SS
HOUSING	ASTM A-536
HAND WHEEL	ASTM A-536
FLAG INDICATOR	ASTM A-536
SHEAR PIN	ASTM A-510
SEGMENT GEAR	ASTM B-148
HOUSING GASKET	EPDM GRADE "E"
O-RINGS (ALL)	EPDM GRADE "E"



## Grooved Butterfly Valves

Part #CIGBVsize  
 Sizes: 2 1/2", 3", 4", 6", 8"

DIMENSIONS		UNIT INCH (mm)						
SIZE (INCH)	A	B	C	D	E	F	G	H
2 1/2"	4.1(105)	3.3(85)	3.7(94.6)	2.9(73.0)	5.3(135)	5.3(135)	4.9(125)	
3"	4.4(112)	3.6(92)	3.8(96.4)	3.5(88.9)	5.6(142)	5.3(135)	4.9(125)	
4"	5.7(145)	4.3(108)	4.5(115.4)	4.6(116.2)	6.9(175)	5.3(135)	4.9(125)	
6"	7.1(180)	5.7(145)	5.3(133.4)	6.6(168.3)	8.3(210)	7.6(193)	8.9(225)	0.4(11.2)
8"	8.0(204)	6.7(170)	5.8(147.7)	8.6(219.1)	9.1(232)	7.6(193)	8.9(225)	0.9(24.0)

\*Measurements are approximate, please call us if you need exact specifications\*

## LEO INTERNATIONAL, INC.

471 Sutter Avenue, Brooklyn, New York 11207 • Tel:718-290-8005 • Fax:718-290-8046

[www.leointernational.com](http://www.leointernational.com)



®

### Grooved Check Valve



Manufactured of solid brass for use on sprinkler and standpipe systems. Includes 1/2" IPS plugged tap for installation of a system accessory such as a 1/2" ball drip.

Part #GCVsize  
 Sizes: 3" & 4"

### Spring Loaded Check Valve



Part #CVSLsize  
 Sizes: 1/2" - 2"

### Bolt Packs



PART #		FLANGE	BOLT/NUT	BOLT/NUT PER PACK
BNW212Z	R	2-1/2"	5/8 x 2-1/2	4
BNW3Z	R	3"	5/8 x 2-1/2	4
BNW4Z	R	4"	5/8 x 3	8
BNW5Z	R	5"	3/4 x 3-1/2	8
BNW6Z	R	6"	3/4 x 3-1/2	8
BNW8Z	R	8"	3/4 x 3-1/2	8

Part #BNWB2 Size: Zink

Part # BNWB2 Size: R = Rubber

ZINC PLATE BOLTS / NUTS & NON-ASBESTOS GASKET

To order Rubber Gasket use prefix "R".

### Ball Drip



Part #BDsize  
 Sizes: 1/2" & 3/4"

### 1/2" Ball Valve w/Cap & Chain



Part #BV12IHCC

### Sprinkler Head Guard



Part #SHGR

### Rubber Flange Gasket



Part #GASsize  
 Sizes: 2" - 8"

## LEO INTERNATIONAL, INC.

471 Sutter Avenue, Brooklyn, New York 11207 • Tel:718-290-8005 • Fax:718-290-8046

[www.leointernational.com](http://www.leointernational.com)



### Sump Pump Valve



Part #SPCV Sizes: 1 1/2" - 4"

### No-Hub Pipe Repair Clamp



Part #039NPRC  
Sizes: 2" - 4"

### Cast Iron Tapped Tee Saddle w/ U-Bolt



Female IPS Adapter



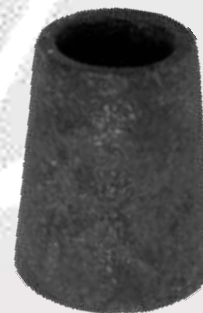
Part #039TS  
Sizes: 3x2, 4x1 1/2, 4x2, 4x3

### Cast Iron Tub Wedge



Part #039TW

### Cast Iron Boiler Tube Plug



Part #SPEBT  
Sizes: 2" - 3"

### Lead Fit All Plug



Part #LFA  
Sizes: 2" - 6"

### 4" Lead Repair Collar



Part #LC4

## LEO INTERNATIONAL, INC.

471 Sutter Avenue, Brooklyn, New York 11207 • Tel: 718-290-8005 • Fax: 718-290-8046

[www.leointernational.com](http://www.leointernational.com)





### Male Adapter

Part #PVCMAsize  
Sizes: 1 1/2" - 6"



### Trap Adapter

Part #PVCTAMsize (male)  
#PVCTAFsize (female)  
Sizes: 1 1/2" & 1 1/2" x 1 1/4"



### Clean-Out Adapter

Part #PVCCOAsize  
#PVCCOAWPsize w/ Plug  
Sizes: 1 1/2" - 6"



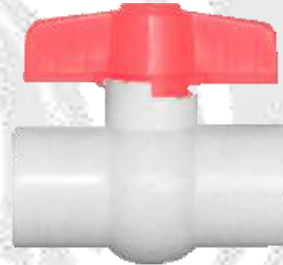
### LA Trap

Part #PVCLATRPsize  
#PVCLAWADPsize (w/ adapter)  
#PVCLA2 (2" w/ union)  
Sizes: 1 1/2", 2", & 1 1/2" x 1 1/4"



### Clean-Out Tee w/ Plug

Part #PVCCOTsizeWP  
Sizes: 1 1/2" - 6"



### PVC Ball Valve

Part #PVCBVsize  
Sizes: 1 1/2" - 4"



### Toilet Flange

Part #PVCFF4PI.....4" PVC Push-In Floor Flange  
#PVCFMRH43...4x3 PVC Metal Ring Floor Flange Hub Male  
#PVCFMRH44...4x4 PVC Metal Ring Floor Flange Hub Male  
#PVCFMRS43...4x3 PVC Metal Ring Spigot Floor Flange Female



### SCH40 PVC Pipe

Part #PVCPSize  
Sizes: 1 1/2" - 6" x 10ft.

## **LEO INTERNATIONAL, INC.**

471 Sutter Avenue, Brooklyn, New York 11207 • Tel: 718-290-8005 • Fax: 718-290-8046

[www.leointernational.com](http://www.leointernational.com)



## Plastic Washing Machine Box w/Valves



Part #WMB

## **PVC SPECIALTIES**



All Plastic  
Snap Drain



General Purpose  
Drain



Plastic Snap-In Drain  
w/ Removable  
Stainless Steel  
Strainer



Shower Drain For  
Tile Shower  
Bases



No-Calk Shower  
Base Drain



Bell Trap Drain



Offset Closet Flange  
w/Metal Ring



Level Fit Closet  
Flange w/ Metal Ring



Backwater Valve

## **LEO INTERNATIONAL, INC.**

471 Sutter Avenue, Brooklyn, New York 11207 • Tel:718-290-8005 • Fax:718-290-8046

[www.leointernational.com](http://www.leointernational.com)



**Washing Machine Valve**



Cast Brass Duo-Closing –  
Washing Machine Valve –  
Combination 1/2" MIP 1/2" Solder Inlet

Part #WMV

**1/2" x 3/8" Ball Type  
Straight Speedy Valve**



Part #BSVS12I38O

**Ball Type Angle Speedy Valve**



Part  
#BSV12C38O...1/2" Cx 3/8" OD  
Ball Angle Speedy Valve  
#BSV12I38O ...1/2" IPS x 3/8" OD  
Ball Angle Speedy Valve

**Compression Adapter Tee-Valve**



Part #COMTsize  
Sizes: 3/8 x 3/8 & 3/8 x 1/4

**1/2" X 3/8" OD Angle Speedy Valve  
w/ Extension Piece**



Part #BSV12C38OWPCE

**Polish Chrome Angle Stop**



Part  
#SA12C38O (Cx C)  
#SA12I38O (IPS)

**1/2" IPS x 3/8" OD Polish Chrome  
Straight Stop**



Part #SSS12I38O

**LEO INTERNATIONAL, INC.**

471 Sutter Avenue, Brooklyn, New York 11207 • Tel: 718-290-8005 • Fax: 718-290-8046

[www.leointernational.com](http://www.leointernational.com)