



Cast Iron Groove Check Valve



Part #GCVsize
Sizes: 2" - 6"

Bronze OSY IPS Gate Valve



Part #BOSYsize
Sizes: 1" - 2"

BRONZE FEDERAL LONG & STANDARD STEM GATE VALVES 200 WOG



IPS

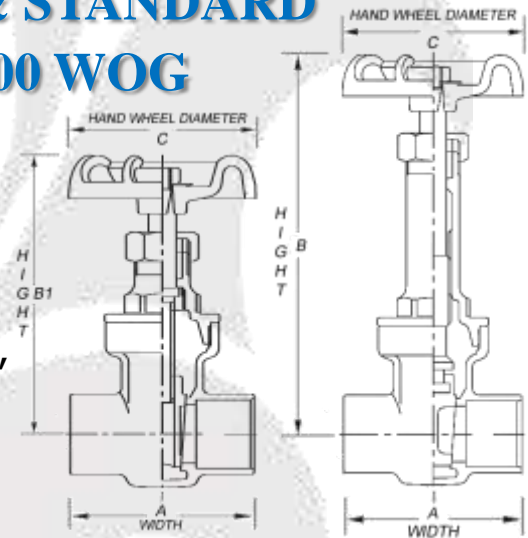
Part GVFSsizeL
Sizes: 1/2" - 3"



IPS

Part GVFSsizeC
Sizes: 1/2" - 3"

Our Federal long & standard stem gate valves feature bronze construction, with a cast iron wheel, and teflon packing.



SIZE	1/2"	3/4"	1"	1-1/4"	1-1/2"	2"	2-1/2"	3"
WIDTH (A) IPS	2"	2"	2-1/4"	2-3/4"	2-3/4"	3"	4"	4-1/2"
WIDTH (A) CxC	2"	2-1/4"	2-3/4"	3-1/4"	3-1/2"	4"	4-3/4"	5-1/4"
HEIGHT (B1)*	3"	3-2/4"	4-1/4"	3/4"	5-2/4"	6-3/4"	7-3/4"	9"
HEIGHT (B)**	5"	5-3/4"	7-1/4"	8/4"	9-1/2"	11-1/2"	13-3/4"	15"
WHEEL (C)	2-1/4"	2-1/4"	3"	3"	3-1/4"	4-1/4"	4-1/2"	5-1/4"

* STANDARD STEM ** LONG STEM

Measurements are approximate, please call us if you need exact specifications

LEO INTERNATIONAL, INC.

471 Sutter Avenue, Brooklyn, New York 11207 • Tel: 718-290-8005 • Fax: 718-290-8046

www.leointernational.com